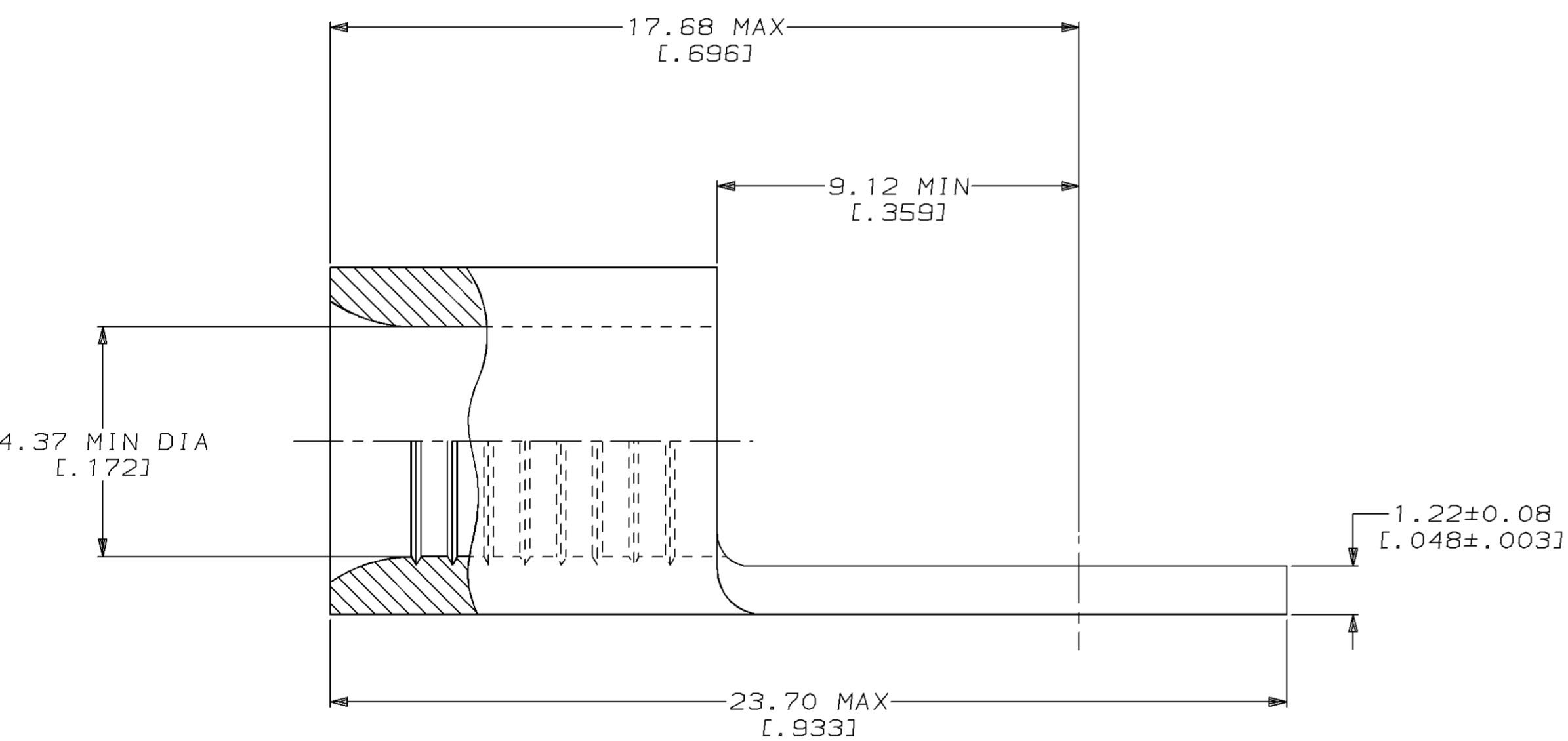
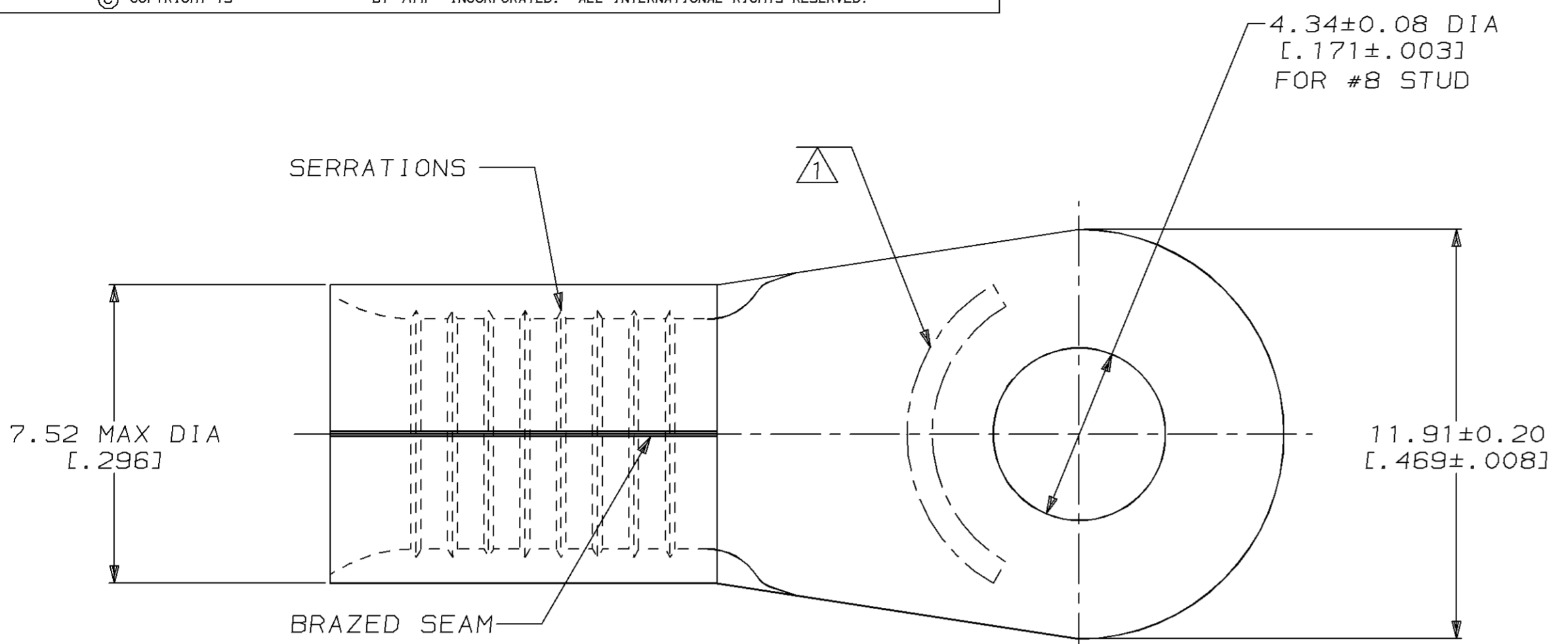


| LOC | DIST | P | F | ZONE | LTR | DESCRIPTION | DATE | APPD |
|-----|------|---|---|------|-----|----------------------------|---------|---------|
| G | 14 | | | | | D REVISED PER 0720-0980-96 | 10JUL96 | OKS MJS |

METRIC
 DIMENSIONS LISTED IN mm [INCHES]

| | |
|-------------------------------|---------------------------|
| AMP WIRE RANGE | UL Listed |
| 8 AWG SOLID OR STRANDED | 8 AWG STRANDED |
| SR LR7189 Certified | MILITARY P/N AND CLASS |
| 8 AWG SOLID OR STRANDED | NOT APPLICABLE |

△ STAMP AMP 8* APPROX AS SHOWN



| 100 | LOOSE PIECE, BOX | 8-32996-1 |
|----------|------------------|-----------------|
| 1000 | ON TAPE, REEL | 32996-1 |
| -- | LOOSE PIECE | 32996 |
| QUANTITY | PACKAGE TYPE | AMP PART NUMBER |

AMP INCORPORATED
CUSTOMER SERVICE SYSTEMS

FOR ADDITIONAL
 PRODUCT INFORMATION OR
 COPIES OF DRAWINGS
 AND TECHNICAL DOCUMENTS

PRODUCT INFORMATION CENTER
 1-800-522-6752

FOR APPLICATION
 TOOLING INFORMATION

TOOLING ASSISTANCE CENTER
 1-800-722-1111

FOR ORDER ENTRY

1-800-526-5142

MAX RECOMMENDED OPERATING
 TEMPERATURE:
 170°C MAX

VOLTAGE RATING:
 NOT APPLICABLE

WIRE CROSS SECTIONAL AREA RANGE:
 6.64-10.5MM² [13,100-20,800] CIR MILS
 SOLID OR STRANDED

THIS DRAWING IS A CONTROLLED DOCUMENT FOR
 AMP INCORPORATED. IT IS SUBJECT TO CHANGE
 AND THE CONTROLLING ENGINEERING ORGANIZATION
 SHOULD BE CONTACTED FOR THE LATEST REVISION.

DO NOT SCALE PRINT.
 UNLESS SPECIFIED
 DIMENSIONS IN mm [INCHES]
 TOLERANCES ON:
 2 PLC DEC ± -
 3 PLC DEC ± -
 ANGLES ± -

MATERIAL
 COPPER PER
 ASTM B-152
 ANNEALED

FINISH
 TIN PLATE
 0.00254[.000100] MIN
 THK PER MIL-T-10727

DR 3-24-93
 TA BRINKMAN

CHK 3-24-93
 DA PATTERSON

APPD 3-24-93
 DE MILLER

APPD 3-24-93
 JL MECKLEY

PRODUCT SPEC
 -

APPLICATION SPEC
 -

WEIGHT -

AMP AMP Incorporated
 Harrisburg, PA 17105-3608

NAME
**TERMINAL, RING
 TONGUE, SOLISTRAND™**

SIZE
 C 00779

CAGE CODE
 00779

DRAWING NO
 C-32996

SCALE 8:1

SHEET 1 OF 1